

Blackhawk GANG2000

Programmer for Texas Instruments MCUs

Texas Instruments F28x C2000™ 32-bit Real-time MCUs

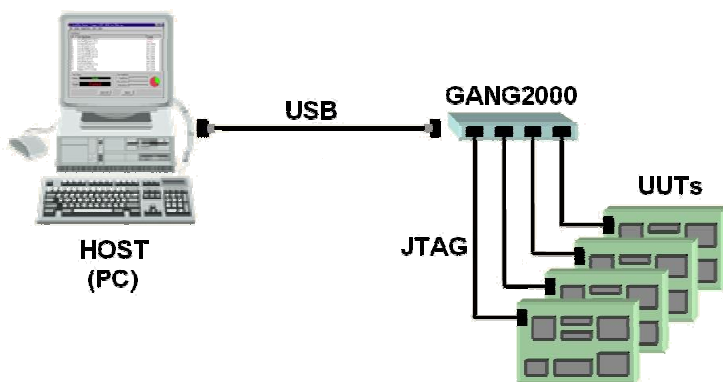
The GANG2000 Programmer from Blackhawk is a multi-tap device that can quickly and efficiently program multiple independent target boards that use the Texas Instruments C2000™ 32-bit Microcontrollers from a Windows® PC over a high-speed USB2.0 port.

The standalone GUI interface and intelligent features of the GANG2000 eliminate the time consuming task of individual device programming. Operator station installation, setup and maintenance is quick and easy from a single installation program. Code Composer Studio™ is not required.

The GANG2000 can support up to 4 UUTs (unit under test) with the supplied JTAG ribbon cables and is also configurable to program only 1, 2, or 3 UUTs (*see diagram below*).

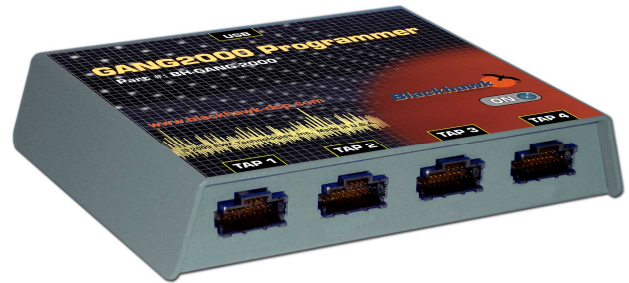
The Gang2000 controller is rugged, made of aluminum, built to last in a production environment. The JTAG cables are detachable, easily replaced if damaged or worn out.

Isolation adapters (4 pcs) to protect both the targets and the PC are available as an option.



ABOUT BLACKHAWK

EWA Technologies, Inc. is a major global player in the application of the IEEE 1149.x standards (known as boundary-scan or JTAG) to state-of-the-art products that will support the design, prototyping and production of the next generation of complex technology products. EWA Technologies consists of two operating units: the Blackhawk™ division in Mount Laurel, NJ, and Corelis, Inc. in Cerritos, CA. The Blackhawk™ division is a leader in providing hardware and software for the rapid development of digital signal processor-based (DSP) applications for a wide variety of vertical markets. Blackhawk™ is a Texas Instruments® (TI) DSP Total Solutions provider for development hardware, advanced JTAG emulators, Real-Time Operating Systems, design services and consulting.



Features

- Program up to 4 F28x target boards
- High-speed USB 2.0 host port
- Stand-alone application with Graphical User Interface (GUI)
 - Code Composer Studio not required.
- Supports TI C2000™ 32-bit Real-time MCUs
 - 28x Delfino™ Floating-point Series
 - 28x Piccolo™ Series
 - 28x Fixed-point Series
- Compatible with TI TMS320F28x Flash APIs that are available free from TI
- Supports devices with 3.3 volt I/Os
- Long, 12 inch, replaceable cables with TI standard 14-pin connectors—includes 4 cables
- Rugged, aluminum enclosure
- Power LED indicator
- Optional optical Isolators (4 pcs)

System Requirements

- PC running Windows® 2000, XP, Vista or 7
- 50 MB of free hard disk space, 256MB RAM
- 233 MHz or faster Pentium or compatible
- Local CD-ROM drive for installation

Ordering Information

Blackhawk GANG2000 w/o Isolation Adapters:
BH-GANG-2000

Blackhawk GANG2000 w/ four ISO-14 Isolation Adapters:
BH-GANG-2000+ISO

Blackhawk

JTAG Emulators & Development Tools

Available in Europe from: A.R. Bayer DSP Systeme GmbH - Düsseldorf/Germany - www.jtag-tools.de



Blackhawk
By EWA Technologies, Inc.
Powering DSP Development™



© 2010 EWA Technologies, Inc. 10/2010